

Antenna, Paddle

ERF4123

Description

The ERF4123 is a black paddle antenna with a sufficient Return Loss on a solid range of frequencies. Therefore suitable for a wide range of applications.

Technology

- LTE Cat-M
- Wi-Fi
- Lora
- ISM
- Cellular
- Bluetooth



Features

Electrical Properties

Description

Frequency marker	Frequency band MHz	Return loss dB	V.S.W.R.
1	450	-18,4	1.3
2	800	-9,2	2.1
3	868	-16,0	1.4
4	900	-12,3	1.6
5	915	-10,2	1.9
6	1.800	-6,5	2.8
7	1.900	-6,6	2.8
8	2.100	-8,0	2.3
9	2.400	-6,9	2.6
10	2.600	-11,4	1.7
11	5.000	-2,1	8.3
12	5.800	-11,8	1.7

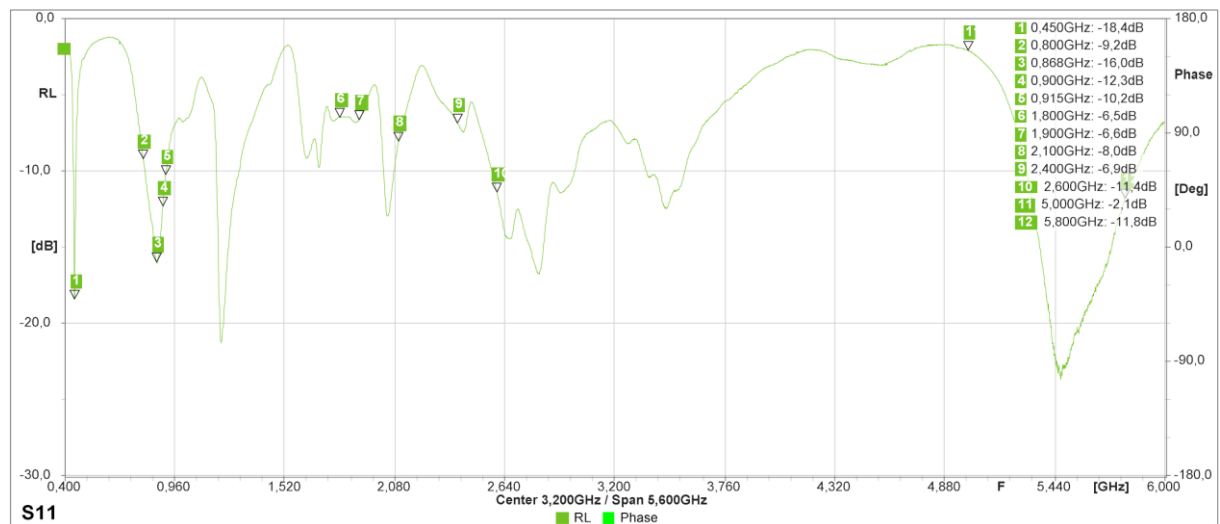
Antenna, Paddle

ERF4123

Nominal Impedance	50 Ω
Polarization	Vertical
Mechanical Properties	Description
Antenna	External Paddle Antenna
Mounting	Screw Type
Connector	SMA Male
Antenna Dimensions	185 x 48 x 8.3 mm ± 0.5
Operating Temperature	-20°C~+60°C
Storage Temperature	-30°C~+70°C

Antenna Properties

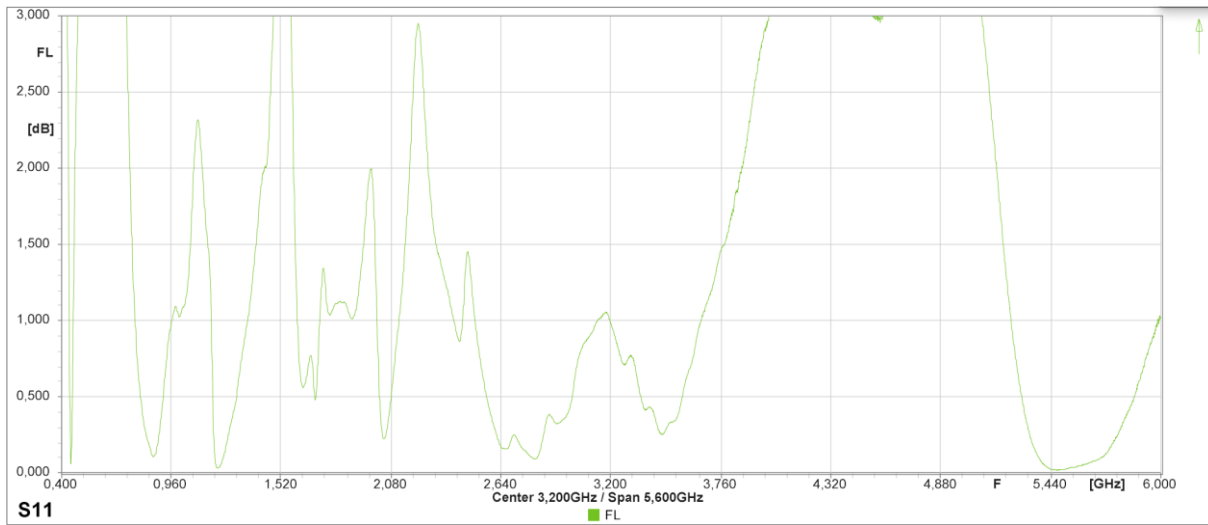
Return Loss



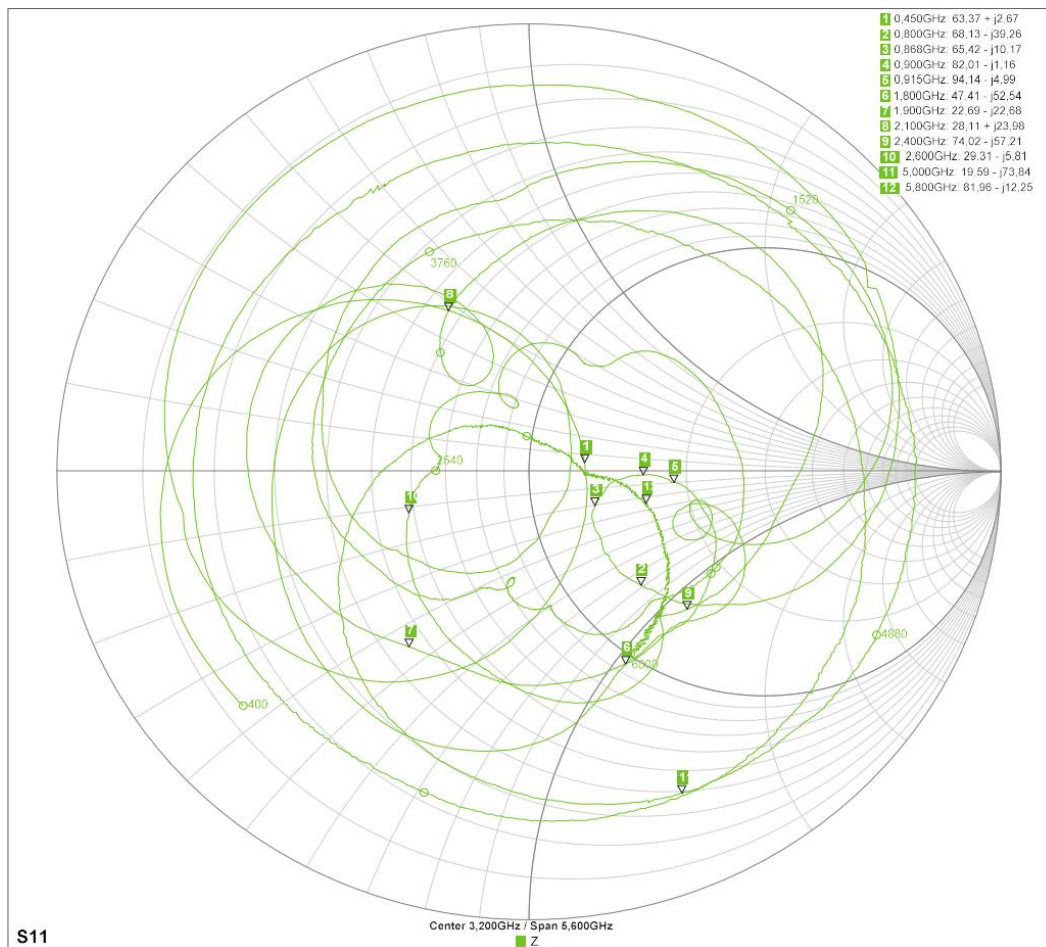
Antenna, Paddle

ERF4123

Forward Loss



Impedance

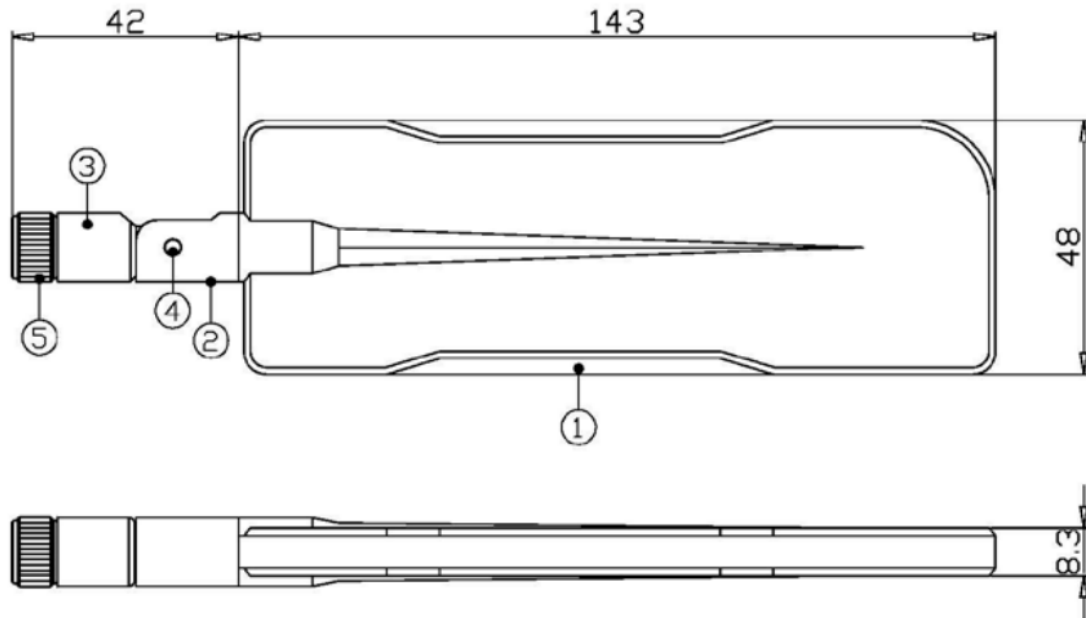


Antenna, Paddle

ERF4123

Dimensions

*Unit: mm



Connector



This antenna is standard equipped with a SMA male connector but can be adapted on request

Ordering information

Ordering can be done via www.summit-electronics.com or via info@summit-electronics.com. Please contact us for more information. Customisation of the product is available on request.

Technical support

For all product questions please contact us via info@summit-electronics.com

Document revision

Rev	Date	Changes
V01.00	01-07-2023	First issue of document